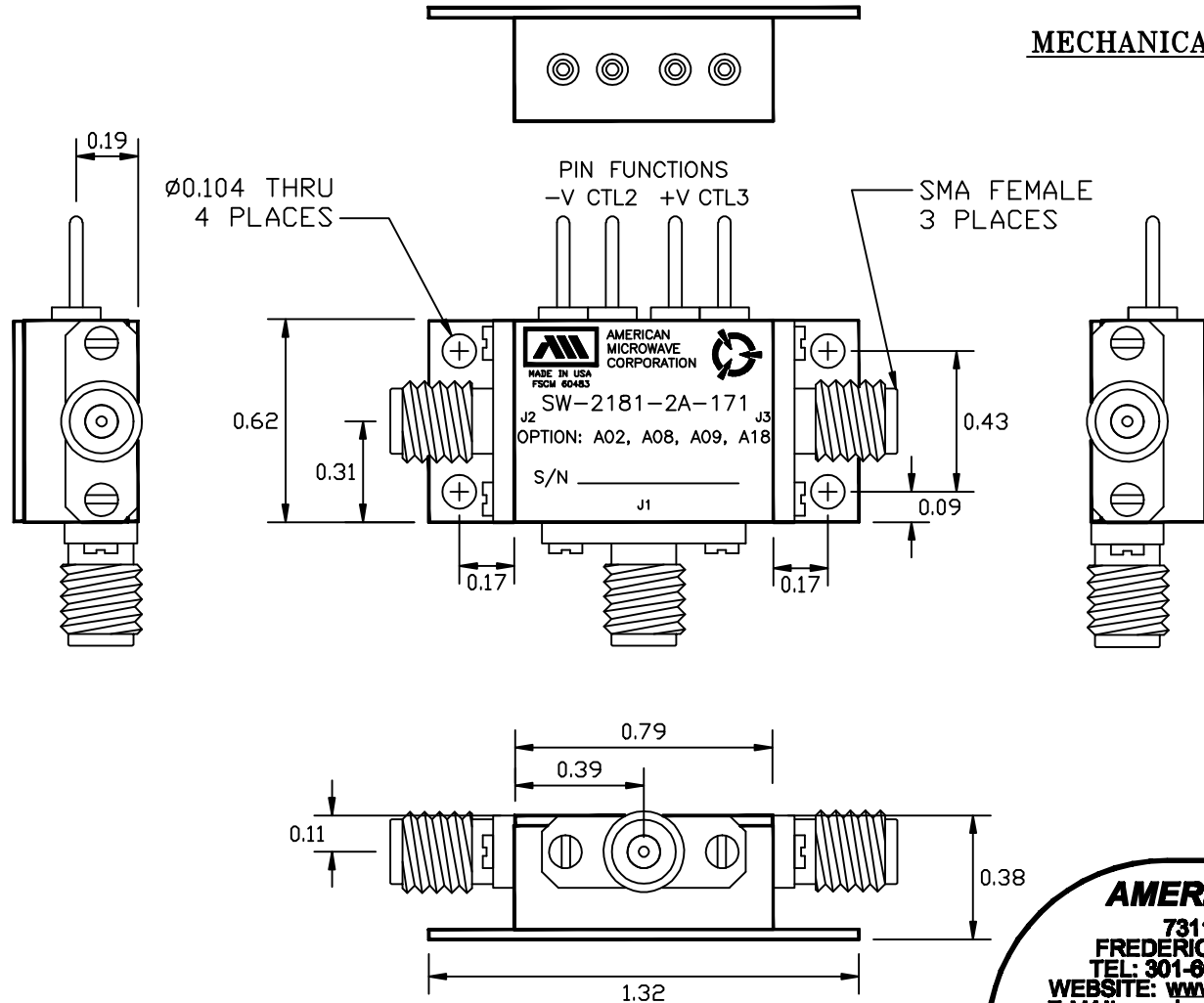


DESCRIPTION

AMC MODEL SWN-2181-2A-171 OPTION: A02, A08, A09, A18, IS A REFLECTIVE SPDT SWITCH MODULE WITH INTEGRAL TTL DRIVER, PACKAGED IN A MINIATURE POSTAGE STAMP SIZE HOUSING, DESIGNED FOR HIGH ISOLATION AND FAST SWITCHING APPLICATIONS.

REVISIONS				
ZONE	REV.	DESCRIPTION	DATE	APPROVED
	-	ORIGINAL RELEASE JOB# 611207X-1	12/05/06	

MECHANICAL OUTLINE



AMERICAN MICROWAVE CORPORATION
MADE IN USA
FSCM 40483
SW-2181-2A-171
OPTION: A02, A08, A09, A18
S/N _____
J1 J2 J3

ALL DIMENSIONS ARE IN INCHES
TOLERANCES:
X.XX ±0.020
X.XXX ±0.010

AMERICAN MICROWAVE CORPORATION

7311-G GROVE ROAD
FREDERICK, MARYLAND 21704 USA
TEL: 301-662-4700 FAX: 301-662-4938
WEBSITE: www.americanmicrowavecorp.com
E-MAIL: sales@americanmicrowavecorp.com
ISO 9001:2000 CERTIFIED



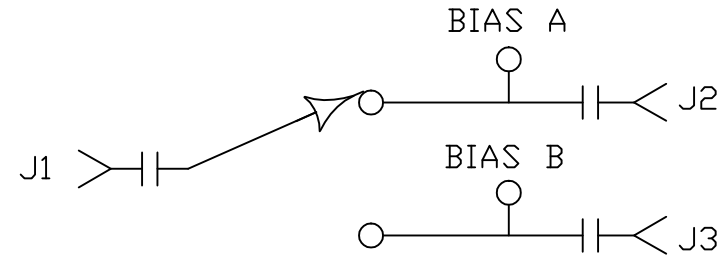
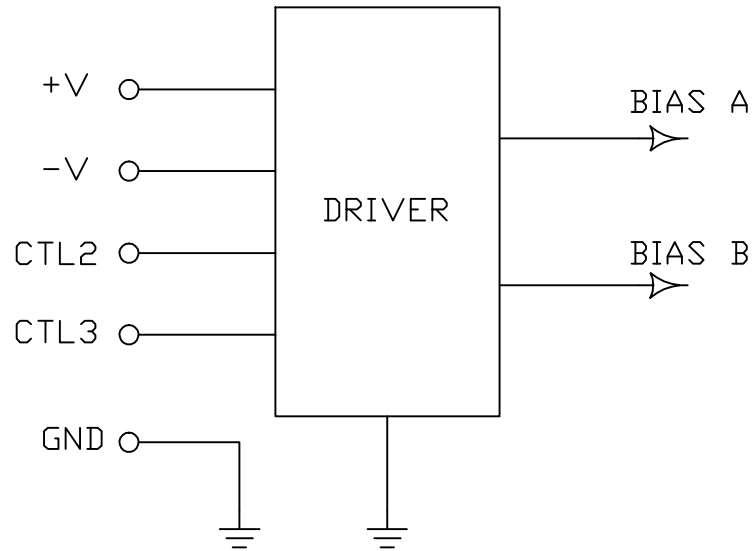
APPROVALS		DATE	TITLE		
DRAWN <i>PRB</i>		12/05/06	MECHANICAL OUTLINE SWN-2181-2A-171 OPTION: A02, A08, A09, A18 1 TO 18 GHz REFLECTIVE SPDT SWITCH MODULE		
REDRAWN			SIZE A	FSCM NO. 60483	DWG NO. 100-3197-001
ISSUED			SCALE N:S		SHEET 2 OF 4

DESCRIPTION

AMC MODEL SWN-2181-2A-171 OPTION: A02, A08, A09, A18, IS A REFLECTIVE SPDT SWITCH MODULE WITH INTEGRAL TTL DRIVER, PACKAGED IN A MINIATURE POSTAGE STAMP SIZE HOUSING, DESIGNED FOR HIGH ISOLATION AND FAST SWITCHING APPLICATIONS.

REVISIONS				
ZONE	REV.	DESCRIPTION	DATE	APPROVED
	-	ORIGINAL RELEASE JOB# 611207X-1	12/05/06	

FUNCTIONAL BLOCK DIAGRAM



AMERICAN MICROWAVE CORPORATION

7311-G GROVE ROAD
 FREDERICK, MARYLAND 21704 USA
 TEL: 301-662-4700 FAX: 301-662-4938
 WEBSITE: www.americanmicrowavecorp.com
 E-MAIL: sales@americanmicrowavecorp.com
 ISO 9001:2000 CERTIFIED



APPROVALS		DATE		TITLE	
DRAWN <i>PRB</i>		12/05/06		FUNCTIONAL BLOCK DIAGRAM SWN-2181-2A-171 OPTION: A02, A08, A09, A18 1 TO 18 GHz REFLECTIVE SPDT SWITCH MODULE	
REDRAWN		SIZE A	FSCM NO. 60483	DWG NO. 100-3197-001	REV. -
ISSUED		SCALE N:S		SHEET 3 OF 4	